

DIGITAL THERMOMETER FOR FOODS MODEL MF1000



Washable and anti-bacteria surface housing !!!

The portable thermometer Model MF1000 is combined with a needle type sensor for measurement of internal temperature of foods or liquid temperature.

The indicator and the sensor grip with anti-bacteria surface housing are washable (IP67 – waterproof and dustproof).

The thermometer designed to use in food processing fields is recommended to use for temperature monitoring in HACCP.



■ FEATURES

- Wide temperature range of -40 to 260°C
- High accuracy of $\pm 0.5^{\circ}\text{C}$, high-speed response of 2 seconds
- Easy to use in your hand with the sensor fit to the backside of the thermometer
- Conforms to IP67 (dustproof and waterproof) and washable.
- Anti-bacteria ABS resin housing fits in your safety program.
- Enables to store the sensor with cable to the thermometer for easy carrying
- 500 hours working with auto-power-off function built in.



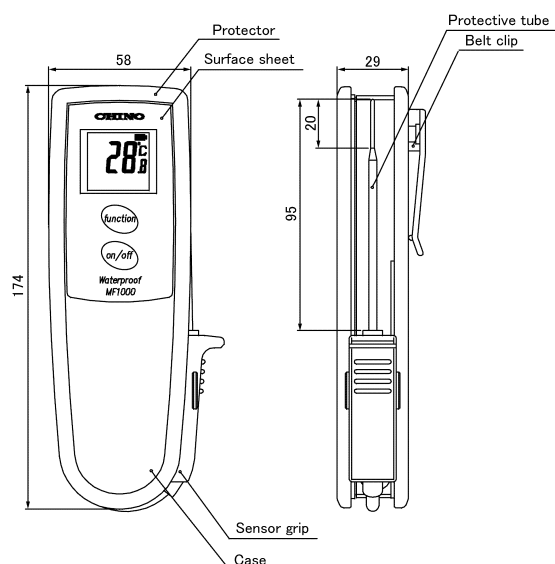
Temperature measurement by fitting the sensor to the backside of the thermometer

■ SPECIFICATIONS

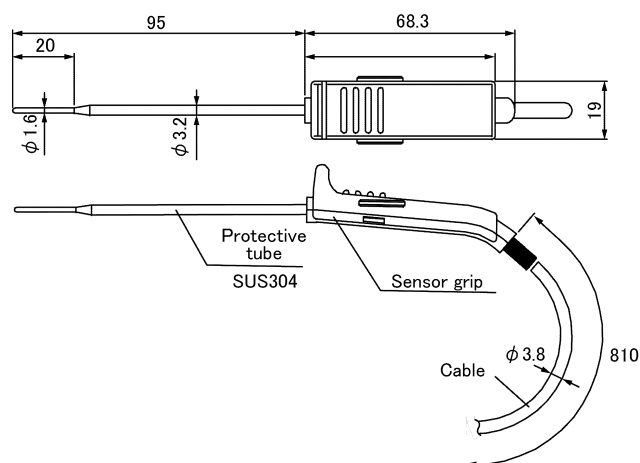
Temperature range:	-40 to 260°C
Measuring accuracy:	±0.5°C (at the ambient temperature of 0 to 50°C)
Response time:	2 seconds (0°C water, 90% response)
Sensor:	K type thermocouple, metal protective tube type
Junction type:	Grounded junction type
Display:	LCD, 3-1/2 digit, Character height 12.7mm
Display resolution:	0.1°C (-40.0 to 99.9°C), 1°C (100 to 260°C)
Working environment:	Ambient temperature ... 0 to 50°C Ambient humidity ... 0 to 90%RH (no dew condensation)
Power supply:	006P battery (9V), 1 piece
Battery life:	500 hours (continuous working at 25 °C)
Auto-power-off:	Automatic-power-off after 5 minutes (Power-off by a key is enabled.)
Case material:	ABS resin (anti-bacteria)
Protector:	Elastomer
Grip material:	ABS resin (anti-bacteria)
Sensor cable:	Silicone sheath extension wire
Weight:	About 165g (excluding a battery)
Accessories:	Belt-clip, battery
Standards:	CE (EN61326-1 Class B) The indication may vary to ±6°C under the test environment requested by EMC directive.
Sealing:	IP67 (waterproof and dustproof)

■ DIMENSIONS

● Thermometer



● Sensor



Unit: mm

Specifications subject to change without notice. Printed in Japan (I) 2002.1

CHINO CORPORATION

32-8, KUMANO-CHO, ITABASHI-KU, TOKYO 173-8632

PHONE: +81-3-3956-2171

FAX: +81-3-3956-0915

E-mail: inter@chino.co.jp

Website: <http://www.chino.co.jp>