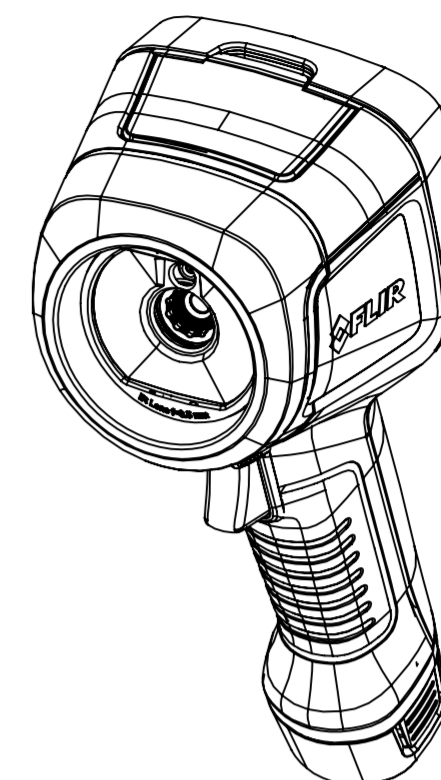
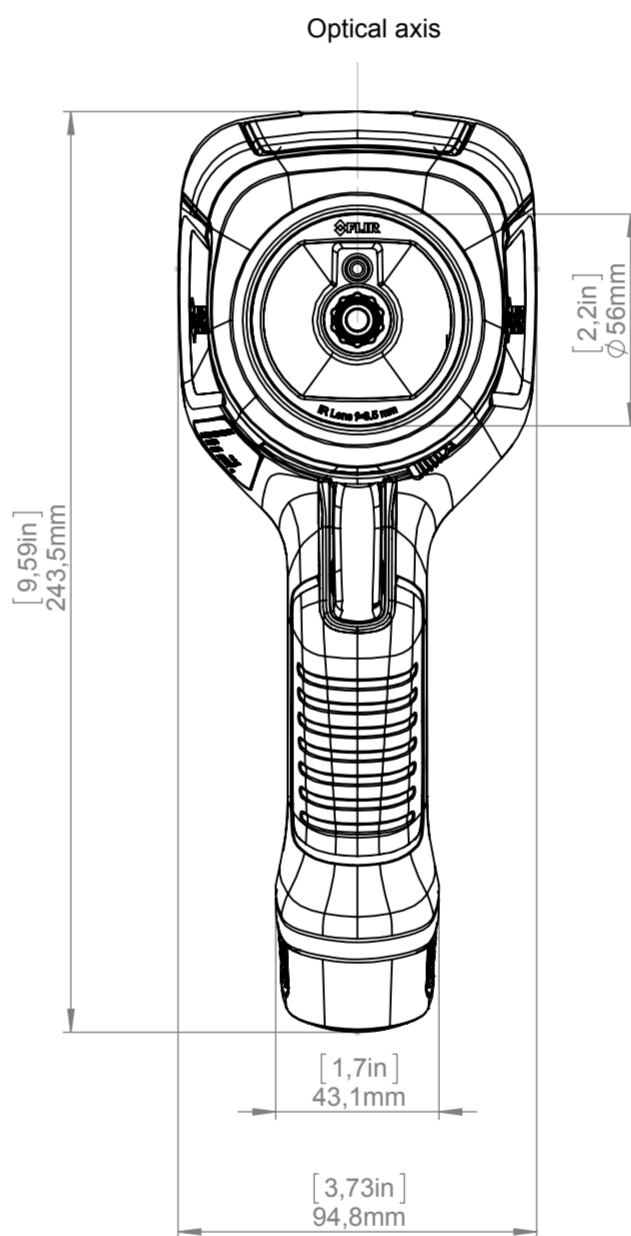
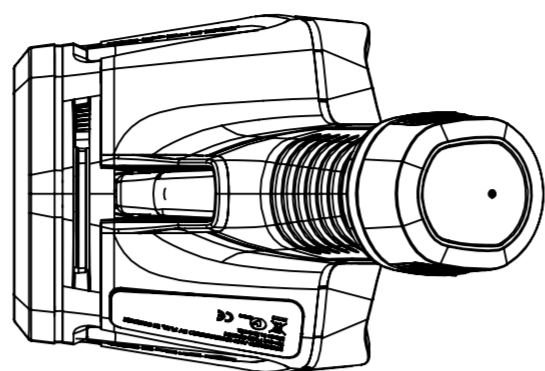
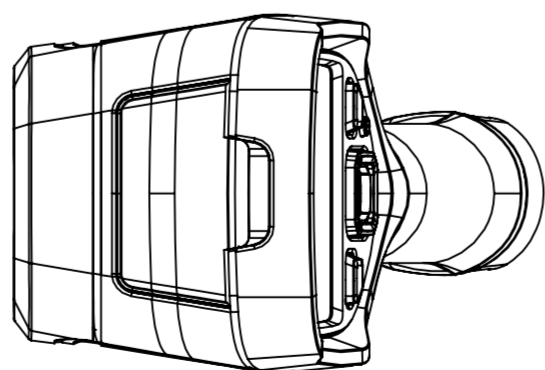
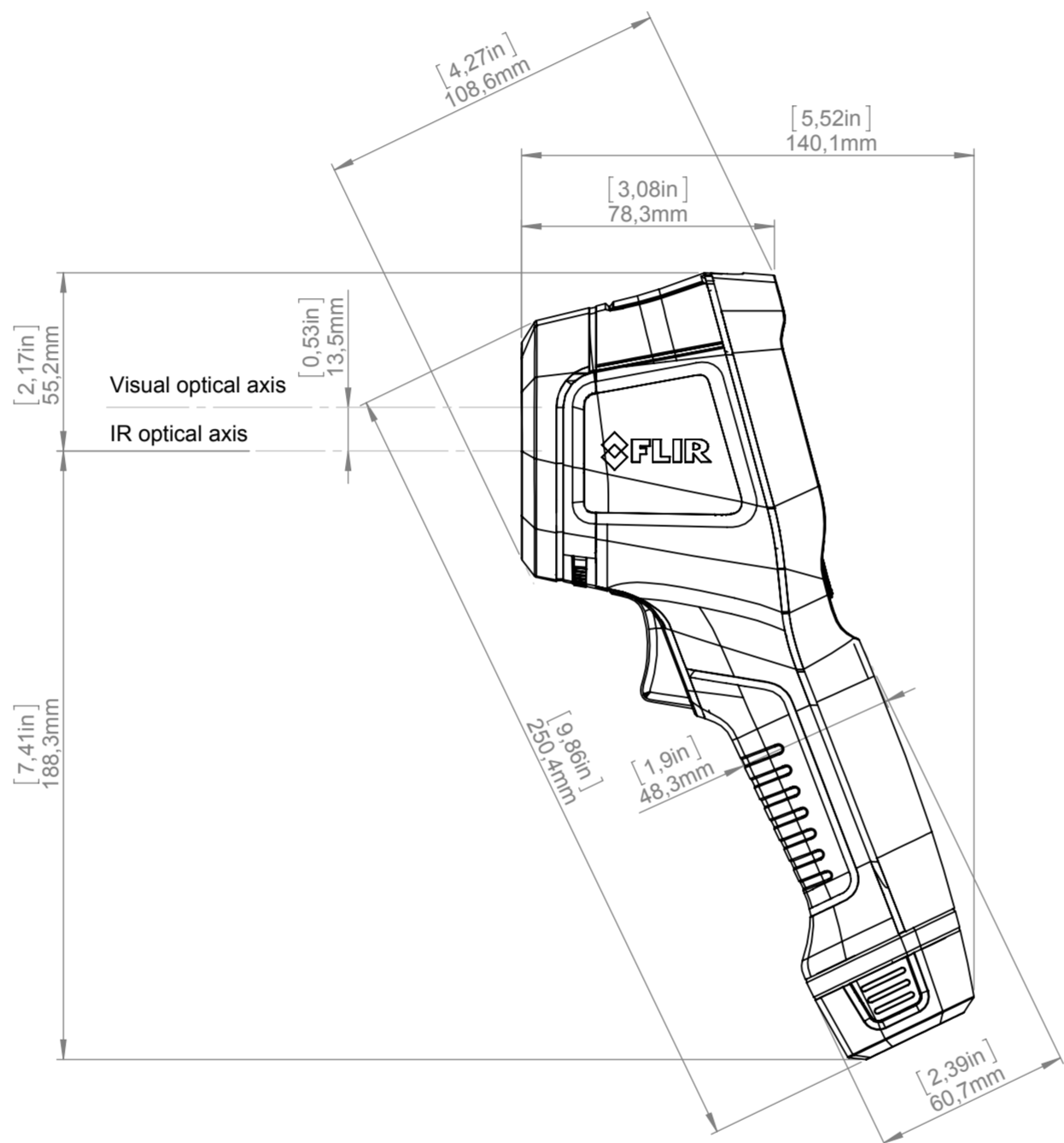
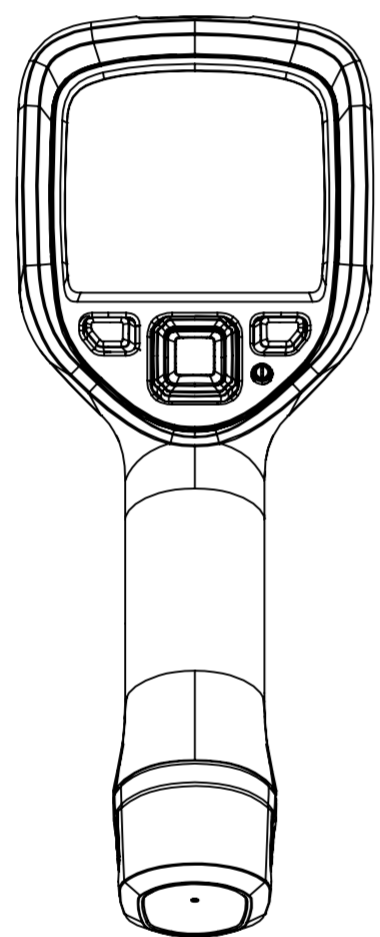


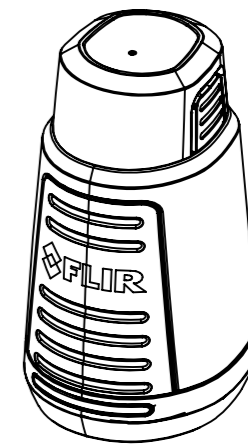
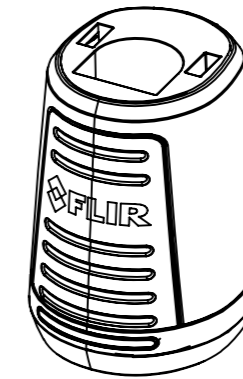
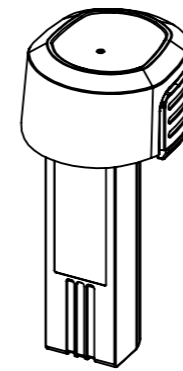
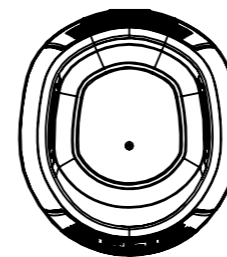
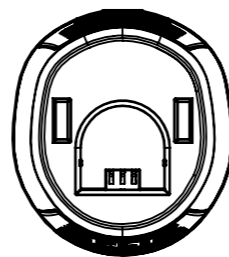
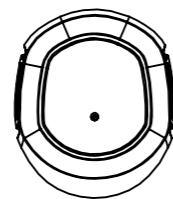
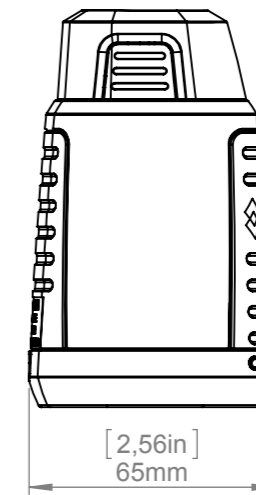
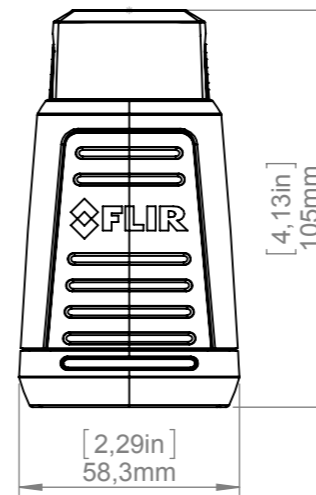
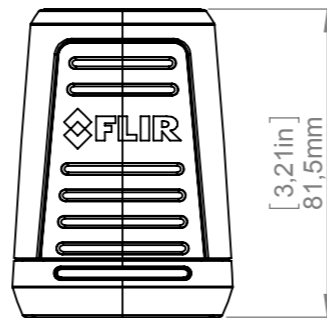
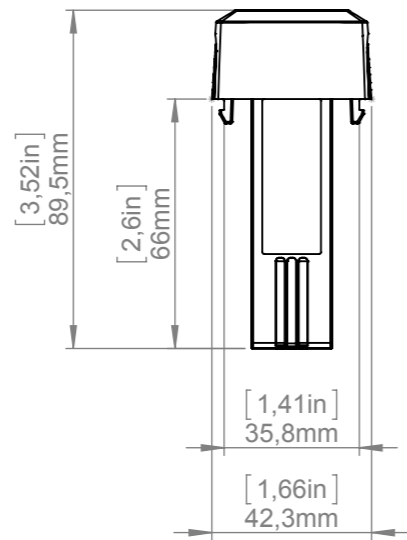
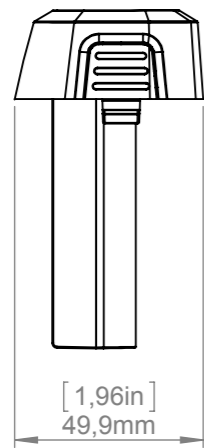
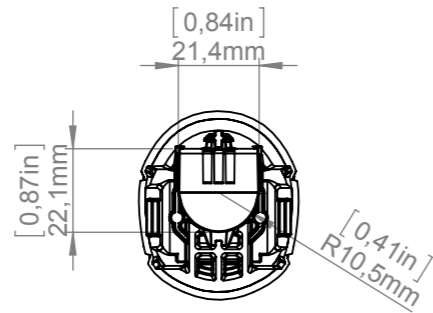
# Camera with built-in IR lens f=6,5 mm (45°)



© 2012 FLIR Systems, Inc. All rights reserved worldwide. No part of this drawing may be reproduced, stored in a retrieval system, or transmitted in any form, or by any means, electronic, mechanical, photocopying, recording, or otherwise, without the prior written permission of FLIR Systems, Inc. Specifications subject to change without notice. Dimensions are based on nominal values. Products may be subject to regional market considerations. License procedures may apply. Product may be subject to US Export Regulations. Please refer to exportquestions@flir.com with any questions. Diversion contrary to US law is prohibited.

Modified 2013-03-25	Check CAHA	Drawn by R&D Thermography	
Denomination			
Basic dimensions FLIR Ex			Size A2 Scale 1:2 Drawing No. T127831 Sheet 1(2) Size A

# Charger and Power pack



Modified 2013-03-25	Check CAHA	Drawn by R&D Thermography	
Denomination			
Basic dimensions FLIR Ex			Sheet 2(2) Size A

© 2012 FLIR Systems, Inc. All rights reserved worldwide. No part of this drawing may be reproduced, stored in a retrieval system, or transmitted in any form, or by any means, electronic, mechanical, photocopying, recording, or otherwise without written permission from FLIR Systems, Inc. Specifications subject to change without further notice. Dimensional data is based on nominal values. Products may be subject to regional market considerations. License procedures may apply. Product may be subject to US Export Regulations. Please refer to exportquestions@flir.com with any questions. Diversion contrary to US law is prohibited.