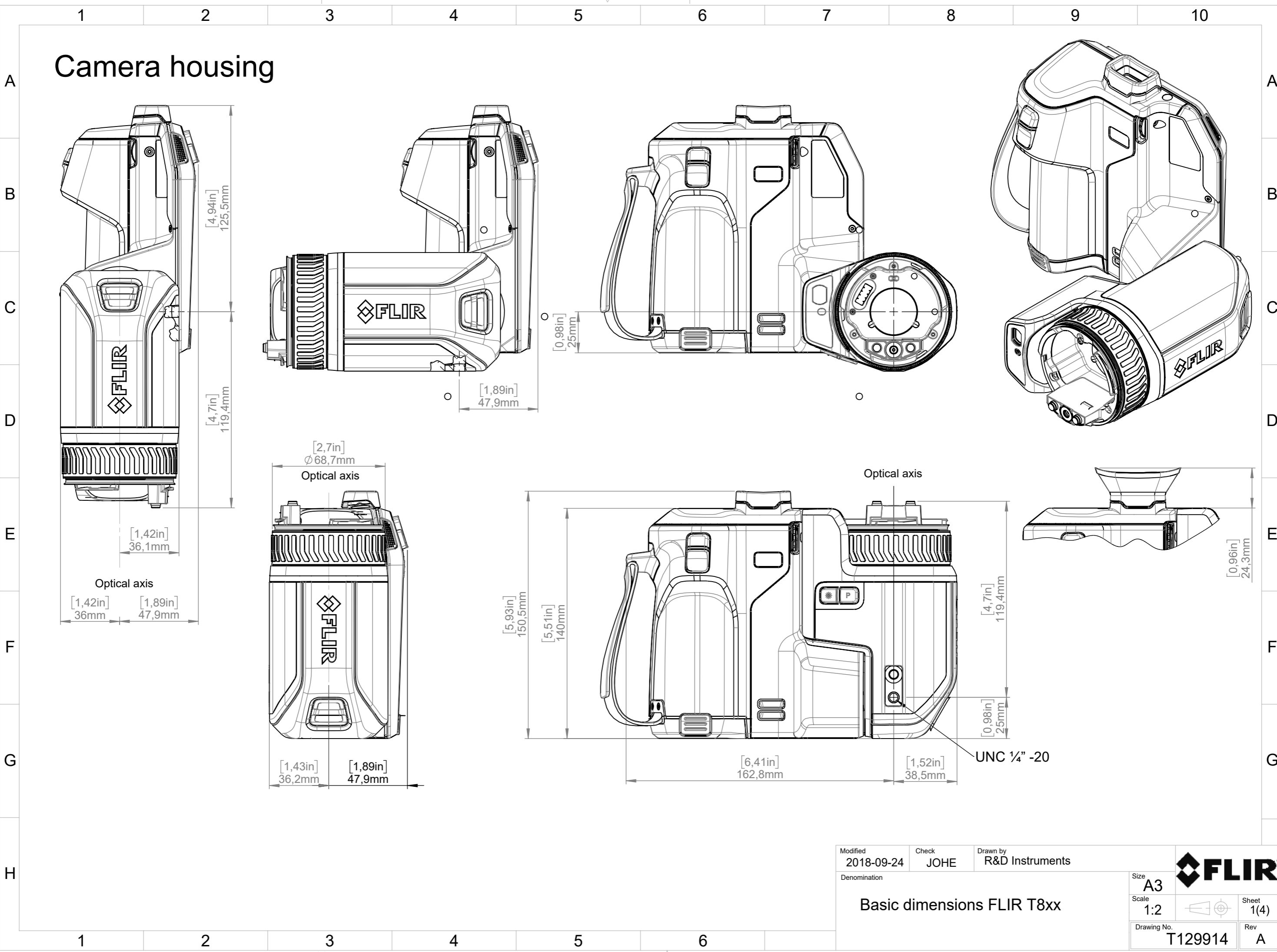


© 2016 FLIR Systems, Inc. All rights reserved worldwide. No part of this drawing may be reproduced, stored in a retrieval system, or transmitted in any form, or by any means, electronic, mechanical, photocopying, recording, or otherwise without written permission from FLIR Systems, Inc. Specifications subject to change without further notice. Dimensional data is based on nominal values. Products may be subject to regional market considerations. License procedures may apply. Product may be subject to US Export Regulations. Please refer to exportquestions@flir.com with any questions. Diversion contrary to US law is prohibited.

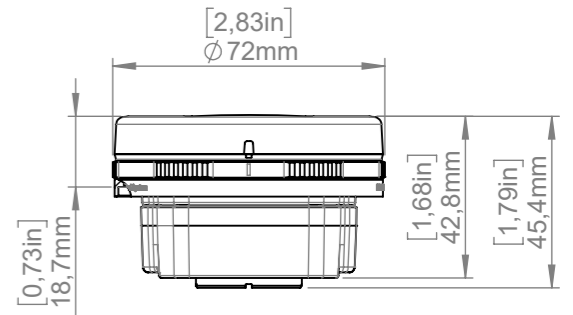
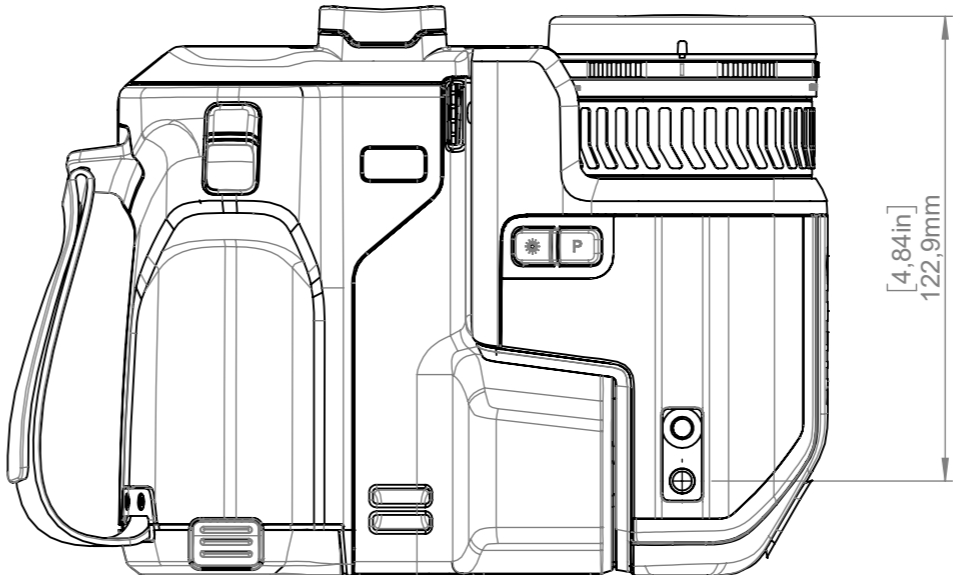
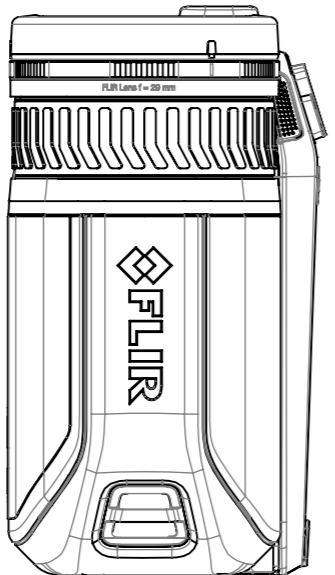
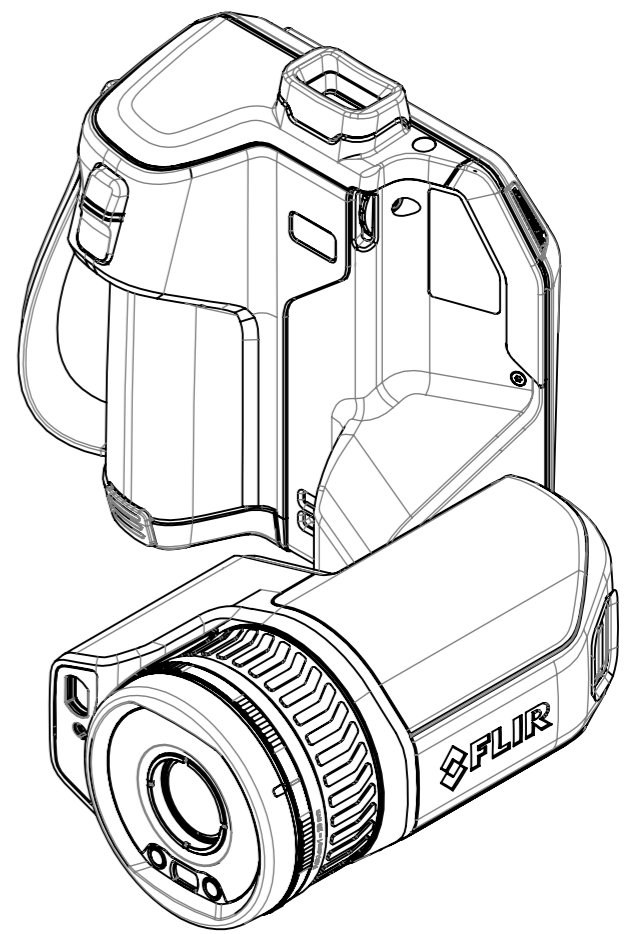
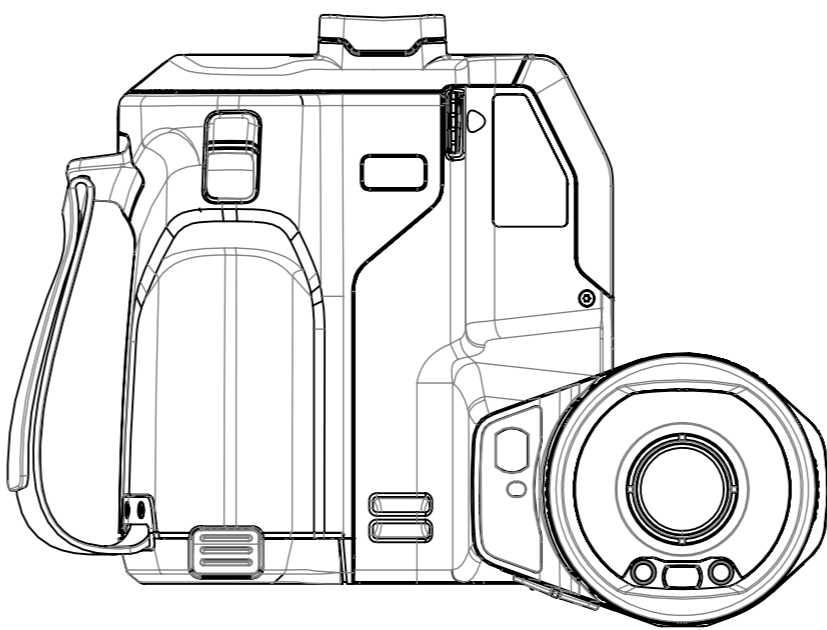
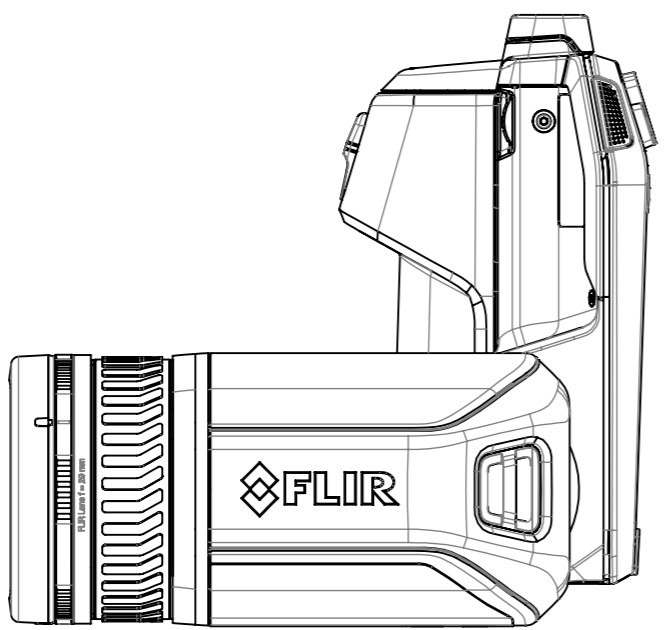
Camera housing



Modified 2018-09-24	Check JOHE	Drawn by R&D Instruments	
Denomination			
Basic dimensions FLIR T8xx			Sheet 1(4) Rev A

© 2016 FLIR Systems, Inc. All rights reserved worldwide. No part of this drawing may be reproduced, stored in a retrieval system, or transmitted in any form, or by any means, electronic, mechanical, photocopying, recording, or otherwise without written permission from FLIR Systems, Inc. Specifications subject to change without further notice. Dimensional data is based on nominal values. Products may be subject to regional market considerations. License procedures may apply. Product may be subject to US Export Regulations. Please refer to exportquestions@flir.com with any questions. Diversion contrary to US law is prohibited.

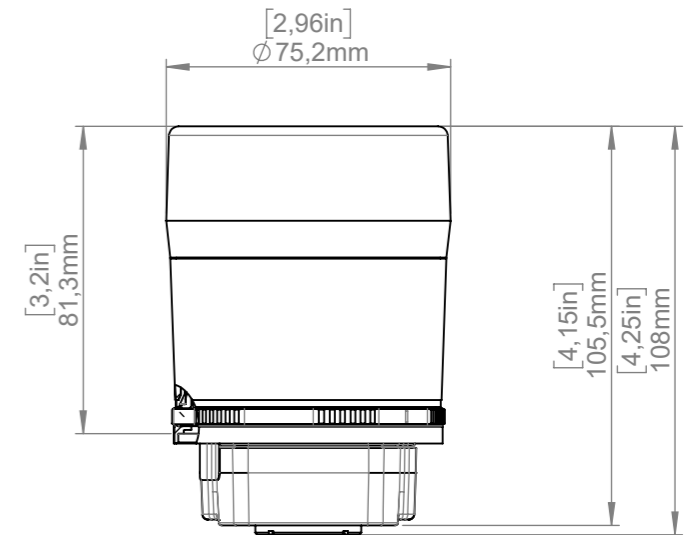
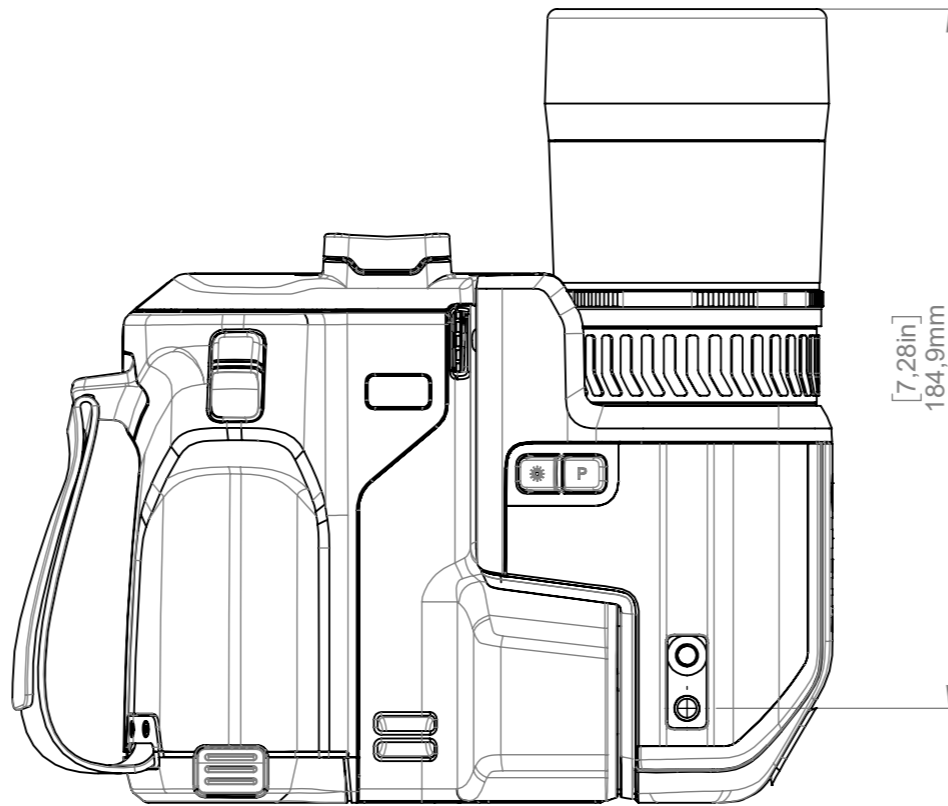
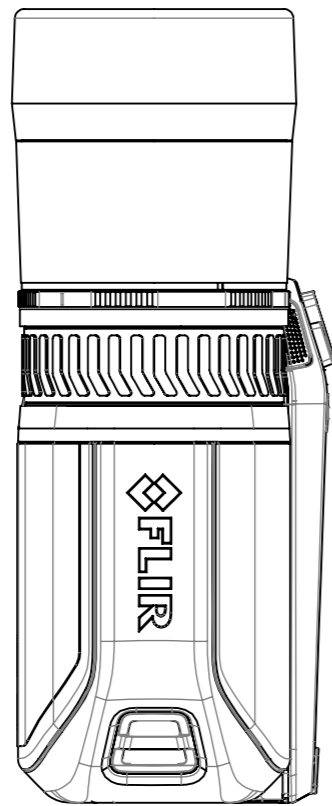
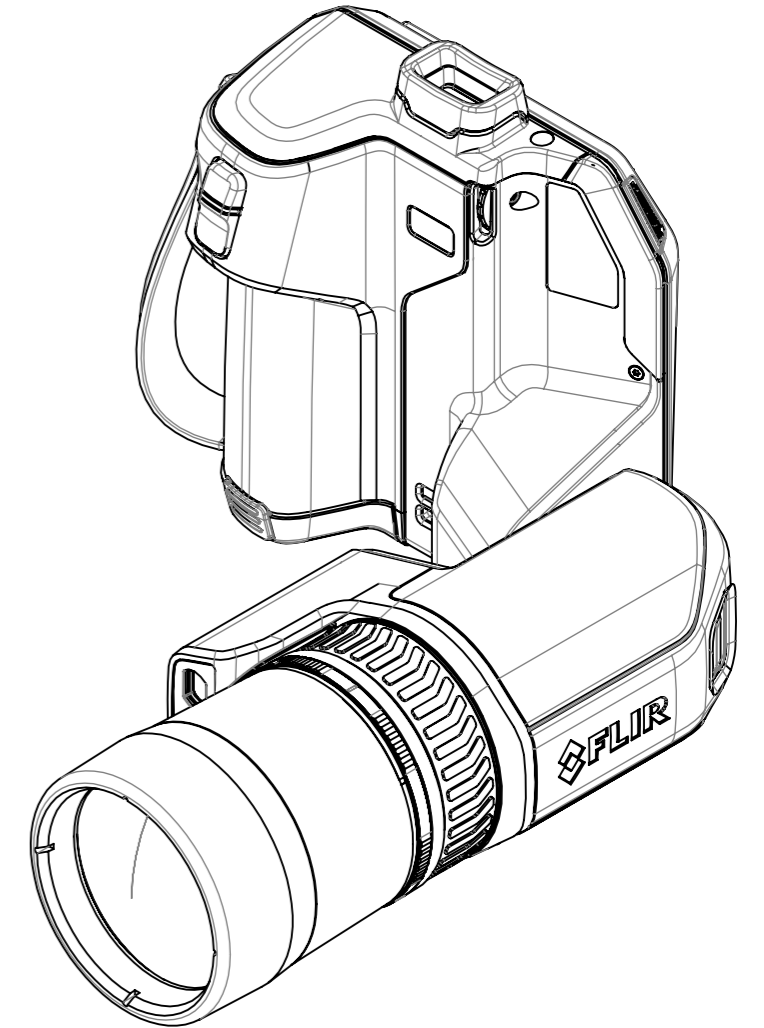
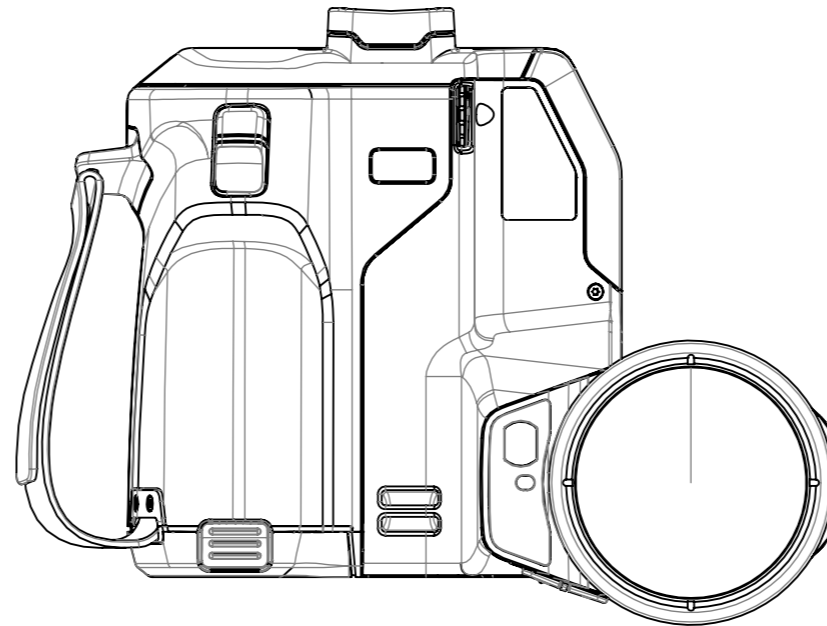
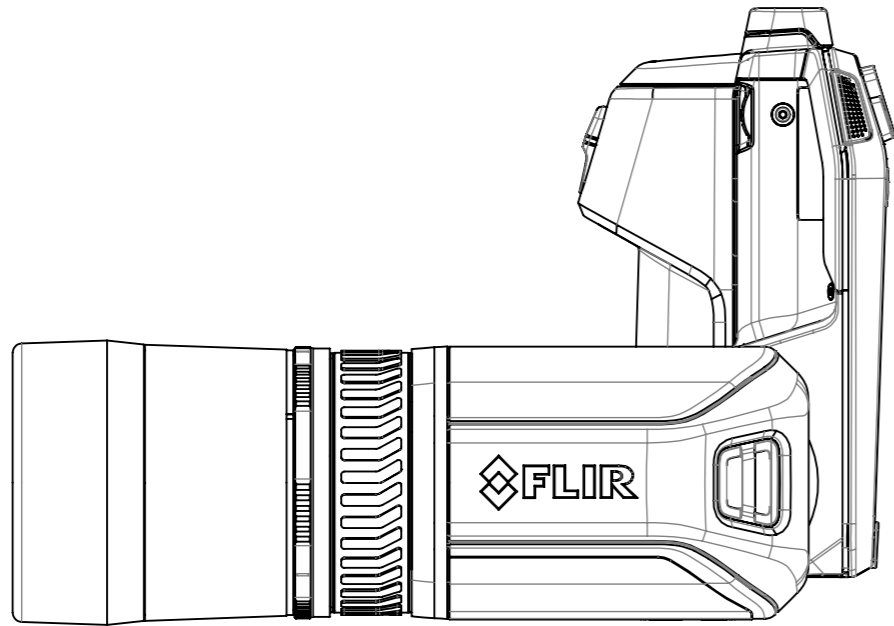
Camera with Lens IR f=10mm (42°)
 Camera with Lens IR f=17mm (24°)
 Camera with Lens IR f=29mm (14°)



For additional dimensions see page 1

Modified 2018-09-24	Check JOHE	Drawn by R&D Instruments	
Denomination			
Basic dimensions FLIR T8xx			Scale 1:5
Drawing No. T129914			Sheet 2(4)
			Rev A

Camera with Lens IR f=70mm (6°)

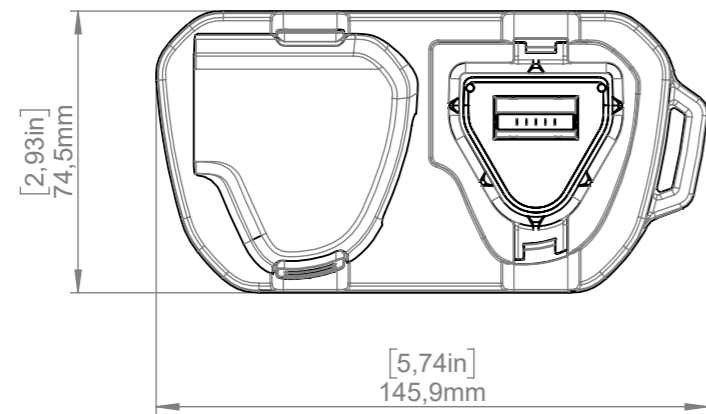
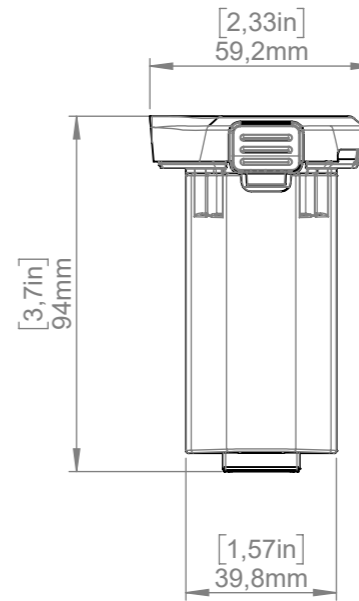
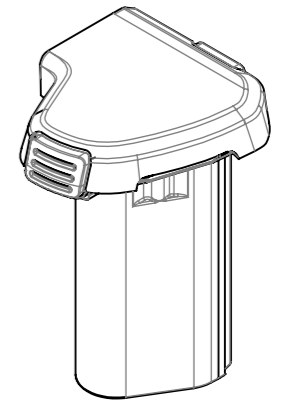
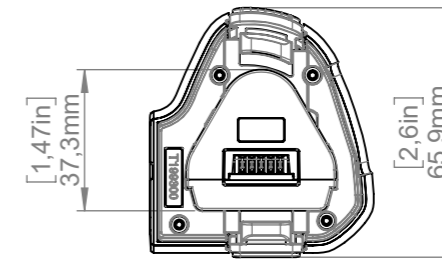
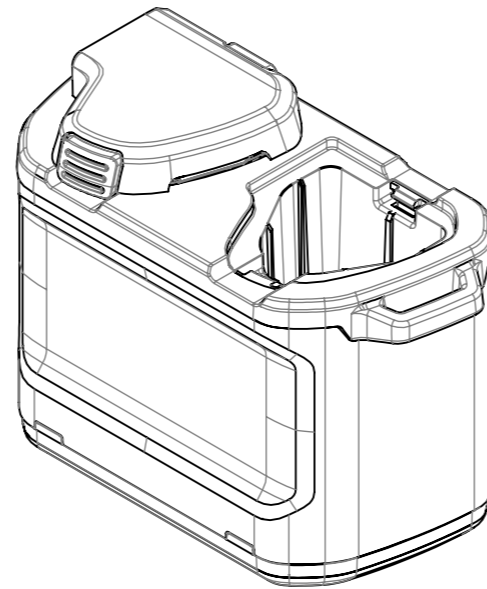
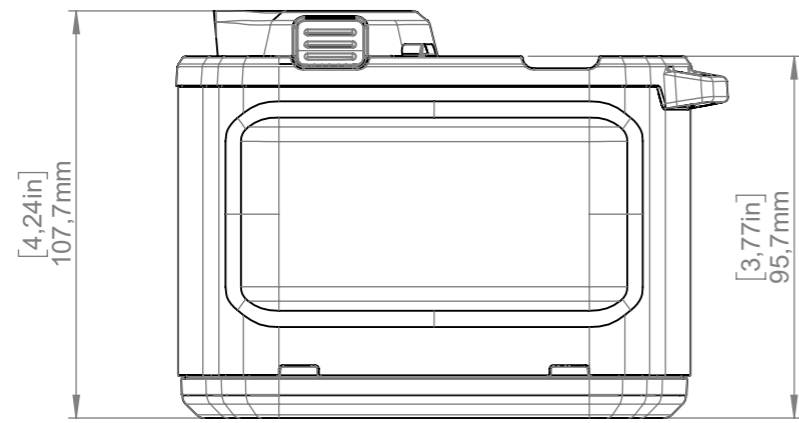


For additional dimensions see page 1

© 2016 FLIR Systems, Inc. All rights reserved worldwide. No part of this drawing may be reproduced, stored in a retrieval system, or transmitted in any form, or by any means, electronic, mechanical, photocopying, recording, or otherwise without written permission from FLIR Systems, Inc. Specifications subject to change without further notice. Dimensional data is based on nominal values. Products may be subject to regional market considerations. License procedures may apply. Product may be subject to US Export Regulations. Please refer to exportquestions@flir.com with any questions. Diversion contrary to US law is prohibited.

Modified 2018-09-24	Check JOHE	Drawn by R&D Instruments	
Denomination Basic dimensions FLIR T8xx			
Size A3	Scale 1:5	Sheet 3(4)	
Drawing No. T129914	Rev A		

Battery Charger



© 2016 FLIR Systems, Inc. All rights reserved worldwide. No part of this drawing may be reproduced, stored in a retrieval system, or transmitted in any form, or by any means, electronic, mechanical, photocopying, recording, or otherwise without written permission from FLIR Systems, Inc. Specifications subject to change without further notice. Dimensional data is based on nominal values. Products may be subject to regional market considerations. License procedures may apply. Product may be subject to US Export Regulations. Please refer to exportquestions@flir.com with any questions. Diversion contrary to US law is prohibited.

Modified 2018-09-24	Check JOHE	Drawn by R&D Instruments		
Denomination Basic dimensions FLIR T8xx				Size A3
			Scale 1:5	Sheet 4(4)
			Drawing No. T129914	Rev A