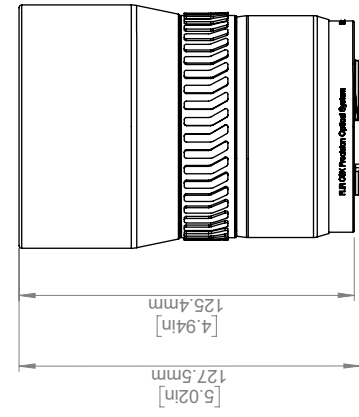
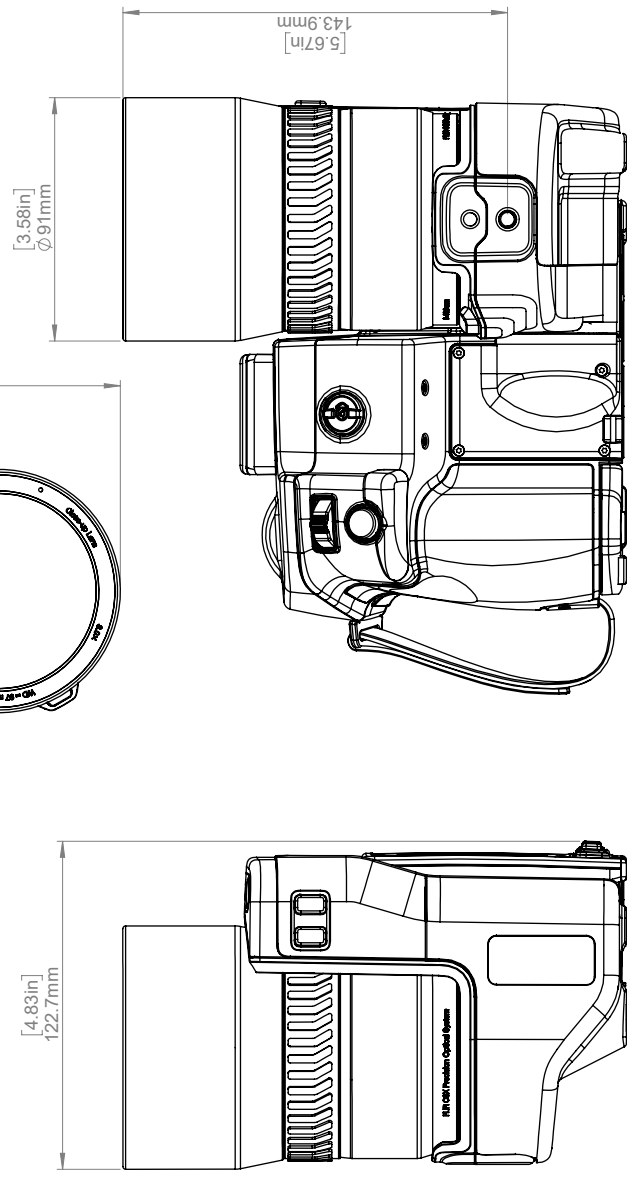
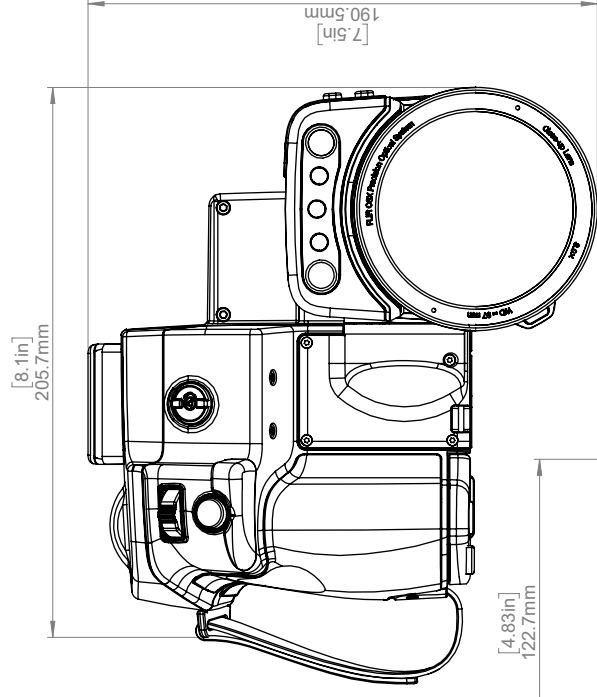
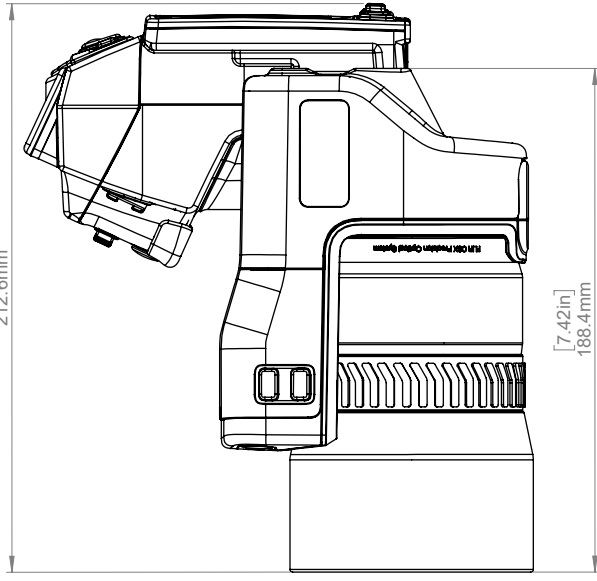
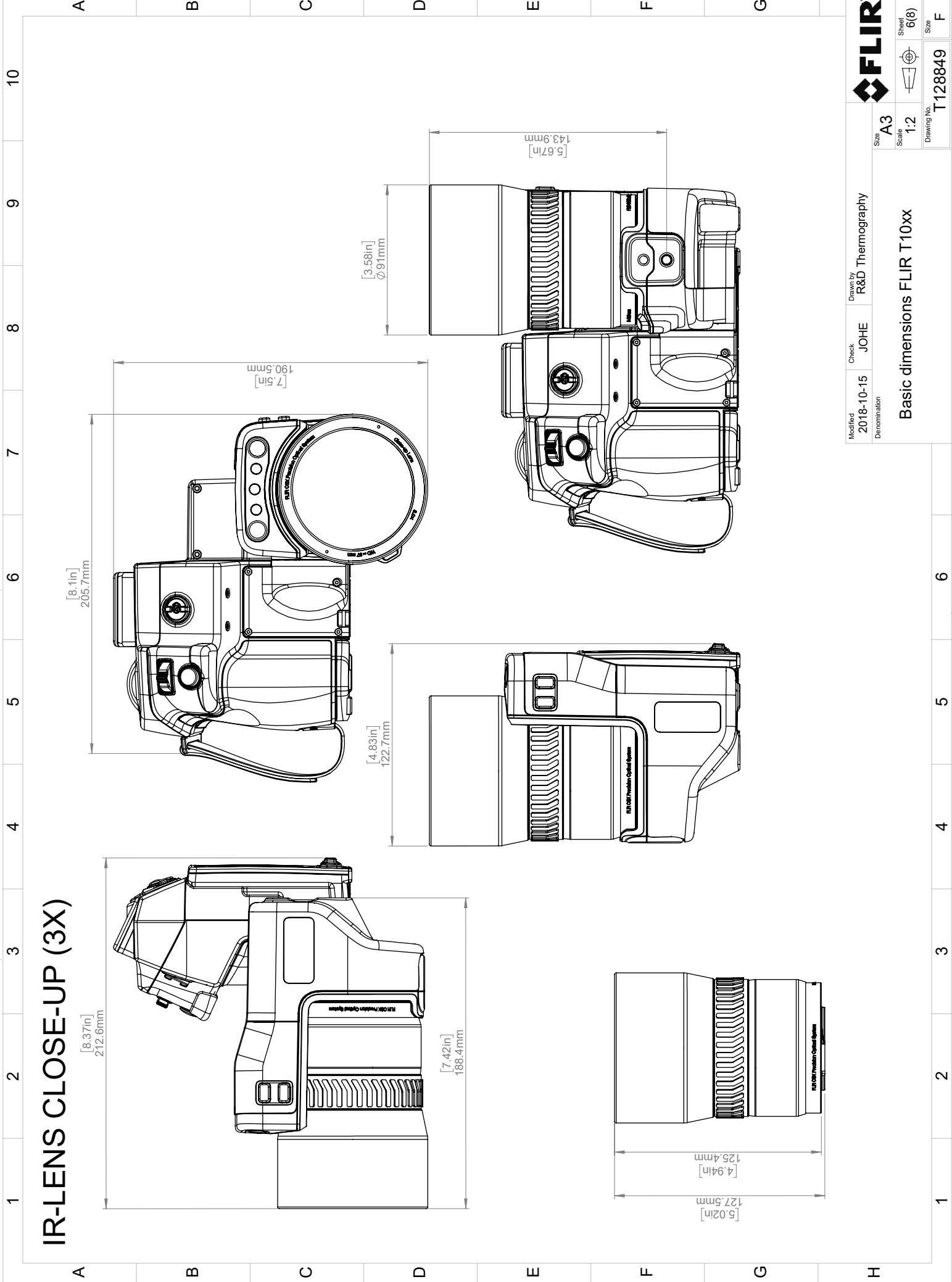


IR-LENS CLOSE-UP (3X)



[5.67in]
143.9mm



© 2012, FLIR Systems, Inc. All rights reserved worldwide. No part of this drawing may be reproduced, stored in a retrieval system, or transmitted in any form, or by any means, electronic, mechanical, photocopying, recording, or otherwise, without written permission from FLIR Systems, Inc. Specifications subject to change without further notice. Dimensional data is based on nominal values. Products may be subject to regional market considerations. License procedures may apply. Product may be subject to US Export Regulations. Please refer to exportquestions@flir.com with any questions. Diversion contrary to US law is prohibited.

		Drawing No. T128849
Modified 2018-10-15	Check JOHE	Drawn by R&D Thermography
Denomination Basic dimensions FLIR T10xx		
Size A3	Scale 1:2	Sheet 6(8)
		Size F